



Heating Pump HK 5-M 180 - DN 32

For supplying heating systems in single-family homes and multi-family dwellings.



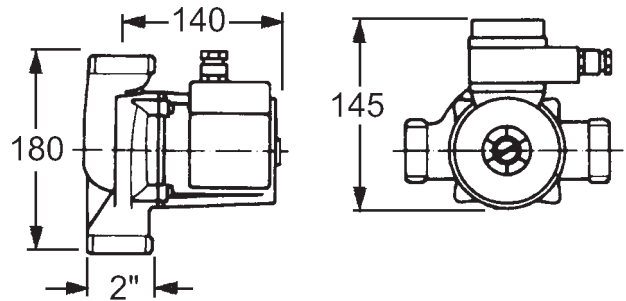
The heating pump is powered by a two-pinned, resistant asynchronous motor. The motor is secured to the pump housing with four bolts, thus allowing the installation position of the motor to be varied. The motor housing is made of aluminium. No overload protection required.

The pump speed is regulated at the conduit box. The heating pump has 3-step speed regulation.

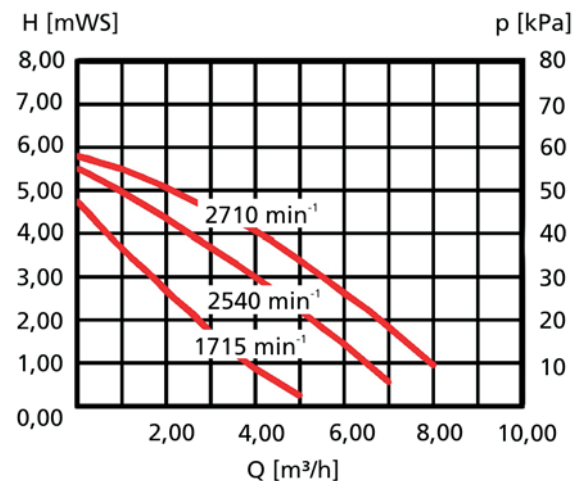
The rotor casing, motor shaft and motor can are made of stainless steel and the impeller is made of technopolymer. The bearings are made of hard carbon. The bearings are lubricated by the pumping medium. This ensures silent operation and a long service life.

The pump housing is made of cast iron. As a standard the pump is equipped without fittings. The pump is also available with screw fittings 1/4" internal.

The vent screw is used to bleed the pump and to free the motor shaft if the pump has not been used for a long period of time.



Electrical supply connection	1~230 V A.C. / 50 Hz
Power consumption	I 140 W
	II 148 W
	III 160 W
Nominal current	I 0.66 A
	II 0.68 A
	III 0.72 A
Capacitor	4 µF 400 V DB
Compression strength	PN 10
Temperature resistance	TF 110
Protection class	IP 44
Min. suction pressure at 90° C	1.50 m



Designation	Order No.
HK 5-M 180 DN 32	451-100-0000006
Fitting kit 1 1/4" internal	420-000-004

Deutsche Vortex GmbH & Co. KG

Kästnerstraße 6
D-71642 Ludwigsburg
Postfach 8 05
D-71608 Ludwigsburg
Tel.: +49 71 41 25 52-0
Fax: +49 71 41 25 52-70
E-Mail: home@deutsche-vortex.de
Internet: www.deutsche-vortex.de